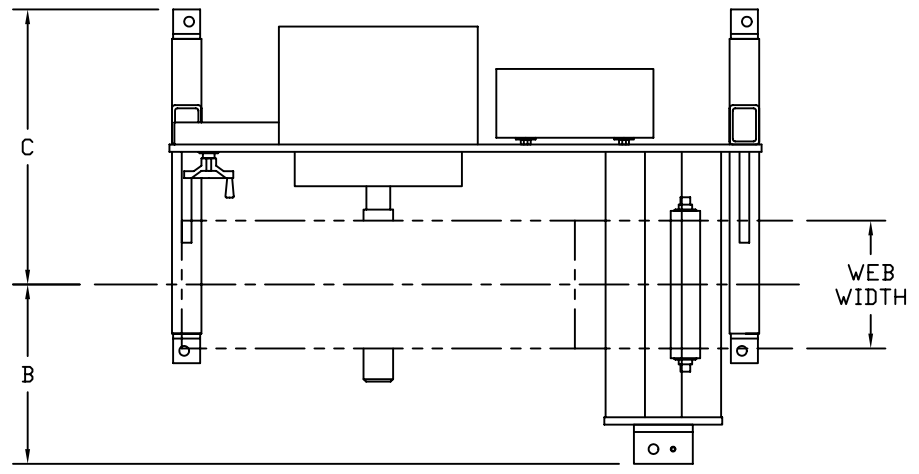
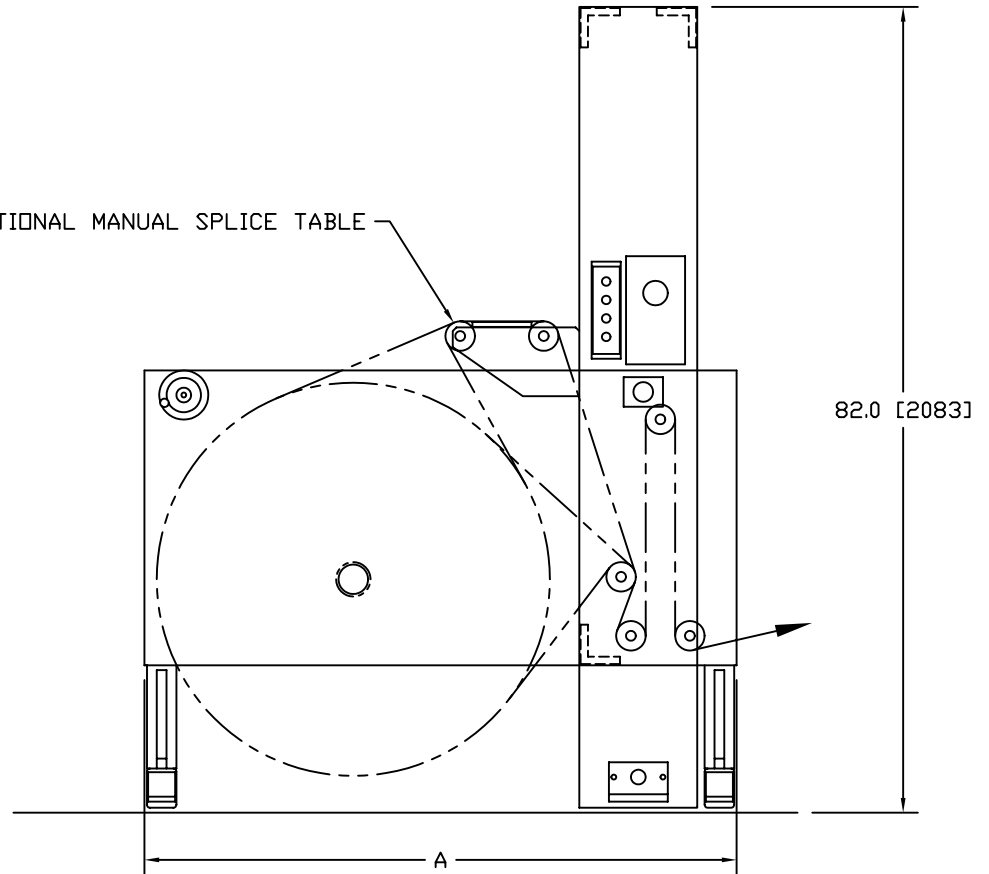


MODEL	W/W IN [MM]	SPEED FPM[MPM]	ROLL DIA IN [MM]	ROLL WT LB [KG]	A IN [MM]	B IN [MM]	C IN [MM]
UW1340-08	13 [330]	800 [243]	40 [1016]	800 [362]	60.3 [1530]	18.3 [464]	28.0 [711]
UW1840-08	18 [457]	800 [243]	40 [1016]	800 [362]	60.3 [1530]	21.8 [552]	31.5 [800]
UW2050-08	20 [508]	800 [243]	50 [1270]	1000 [453]	71.5 [1816]	21.8 [552]	31.5 [800]



OPTIONAL MANUAL SPLICE TABLE



RIGHT HAND UNIT SHOWN

EST. SHIPPING WEIGHT: 1650 LBS
[748 KG]
EST. SHIPPING DIM: 84 X 84 X 66 IN
[2134 X 2134 X 1676 MM]

PROPOSAL DRAWING: DIMENSIONS AND SPECIFICATIONS SUBJECT TO CHANGE WITHOUT NOTICE

KTIE
Keene Technology, Inc.
14357 Commercial Pkwy.
South Beloit, IL 61080
(815)624-8989

TITLE:
UW CANTILEVERED UNWIND

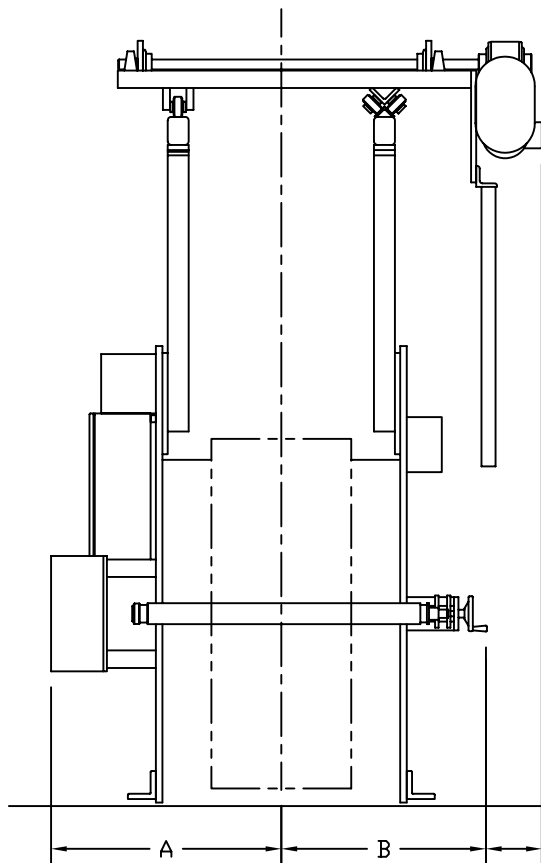
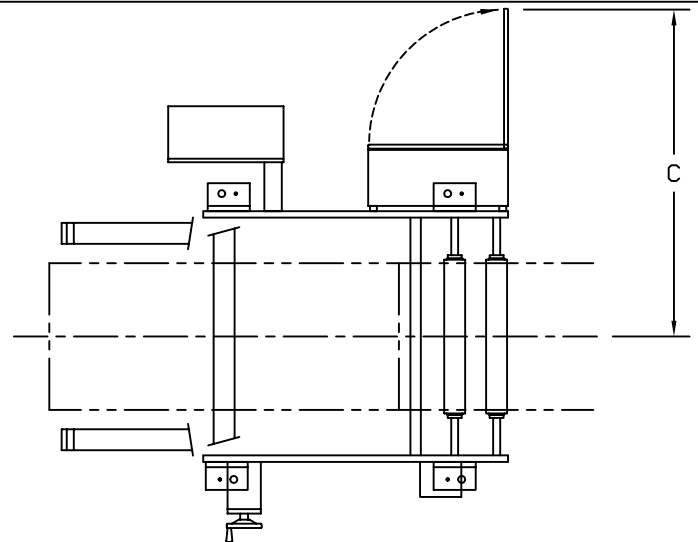
DRAWN BY:
CJP
DATE:
12/8/98
DWG. NUMBER:
PR440
PAGE:
1 OF 1

REVISIONS		
REV.	DESCRIPTION	DATE
A	ADDED UW2050-08	1/25/06
B	REDRAWN	3/8/07

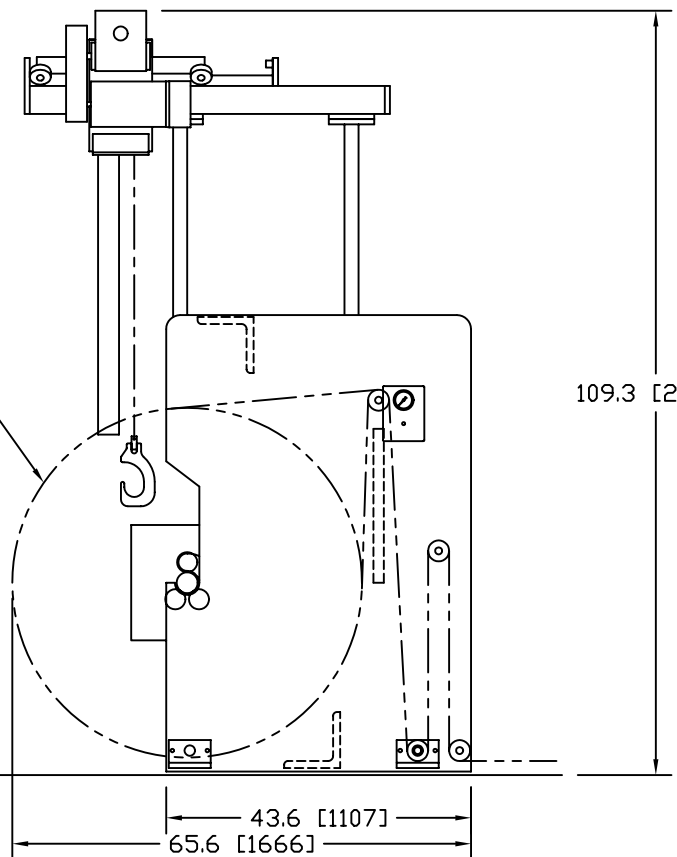
MODEL	WW IN [MM]	SPEED FPM[MPM]	ROLL WT LB [KG]	A IN [MM]	B IN [MM]	C IN [MM]
UW2150-10	21 [533]	1000 [304]	1200 [544]	32.9 [836]	29.3 [743]	46.9 [1191]
UW2750-10	27 [685]	1000 [304]	1800 [816]	35.9 [912]	32.3 [819]	49.9 [1267]
UW4050-10	40 [1016]	1000 [304]	2400 [1088]	41.9 [1064]	38.3 [972]	55.9 [1419]

RIGHT HAND UNIT SHOWN

EST. SHIPPING WEIGHT: 3500 LBS
[1588 KG]



50 [1270] DIA MAX



PROPOSAL DRAWING; DIMENSIONS AND SPECIFICATIONS SUBJECT TO CHANGE WITHOUT NOTICE

EKTI
Keene Technology, Inc.
 14357 Commercial Pkwy.
 South Beloit, IL 61080
 (815)624-8989

TITLE:
 UWxx50 SHAFTED UNWIND STAND

DRAWN BY:
 CJP
 DATE:
 12/4/98

DWG. NUMBER:
 PR441
 PAGE:
 1 OF 1

REVISIONS		
REV.	DESCRIPTION	DATE
A	REDRAWN	1/26/06